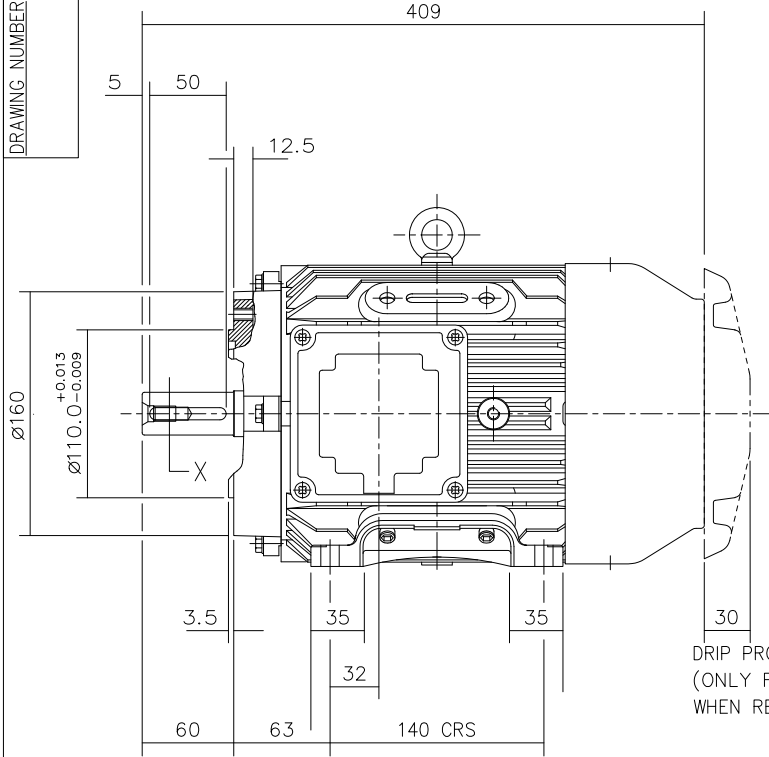
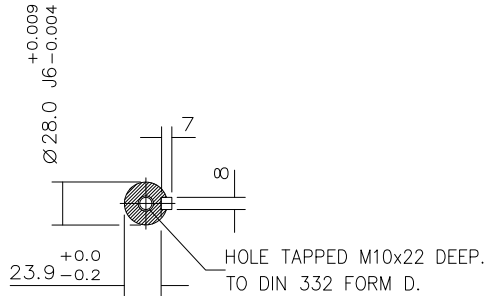
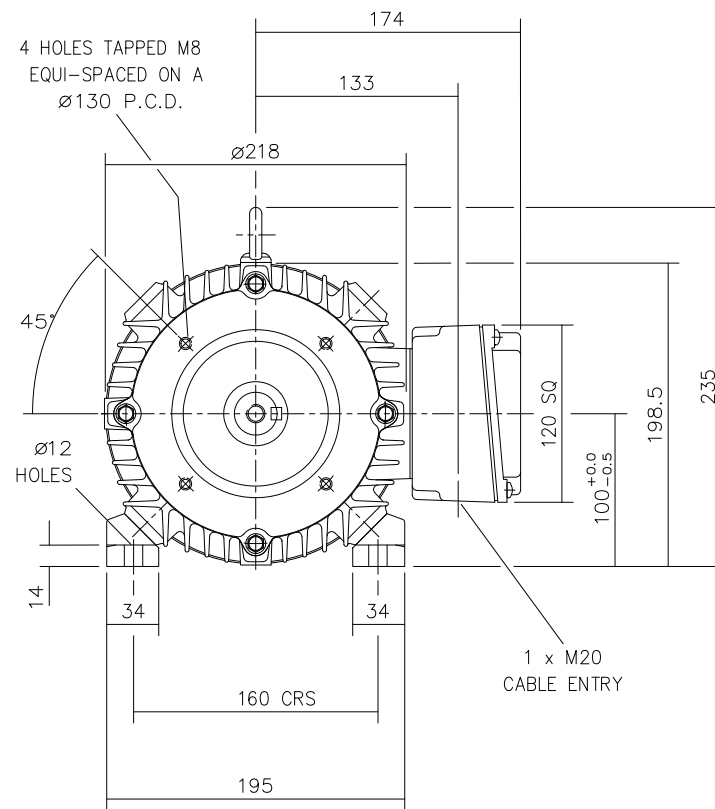


REF: A3NEW

DRAWING NUMBER



DRIP PROOF COWL  
(ONLY FITTED  
WHEN REQUIRED)

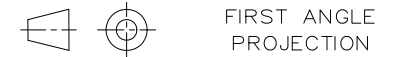


SECTION ON 'X'

TERMINAL BOX POSITION: - CAN BE ARRANGED AT EITHER 9,12 OR 3 O'CLOCK.  
STANDARD TERMINAL BOX POSITION IS 3 O'CLOCK AS SHOWN.  
CONDUIT ENTRIES: - TERMINAL BOX CAN BE ROTATED AT 90° INTERVALS  
(CONDUIT ENTRY POSITION SHOWN FOR ILLUSTRATION ONLY).

CUSTOMER		
ORDER No.		
SERIAL No.		
FRAME SIZE		
KW.	RPM.	
Hz	PHASE	
VOLTS	POLES	
BRGS.	DE.	NDE.
MOTOR NETT WT.		Kg.
SPECIAL REMARKS		

ALL DIMENSIONS IN MILLIMETRES.



**BROOK  
CROMPTON**

SHEET SIZE A3	TITLE	OUTLINE DIMENSION DRAWING W CAST IRON TOTALLY ENCLOSED FAN COOLED 100L FRAME C FACE AND FOOT MOUNTED MOTOR	NAME	DATE
	DRAWN			
			CHECKED	
			SCALE	1:3.5

DRG. No.			
REVISION:	RR	DATE	